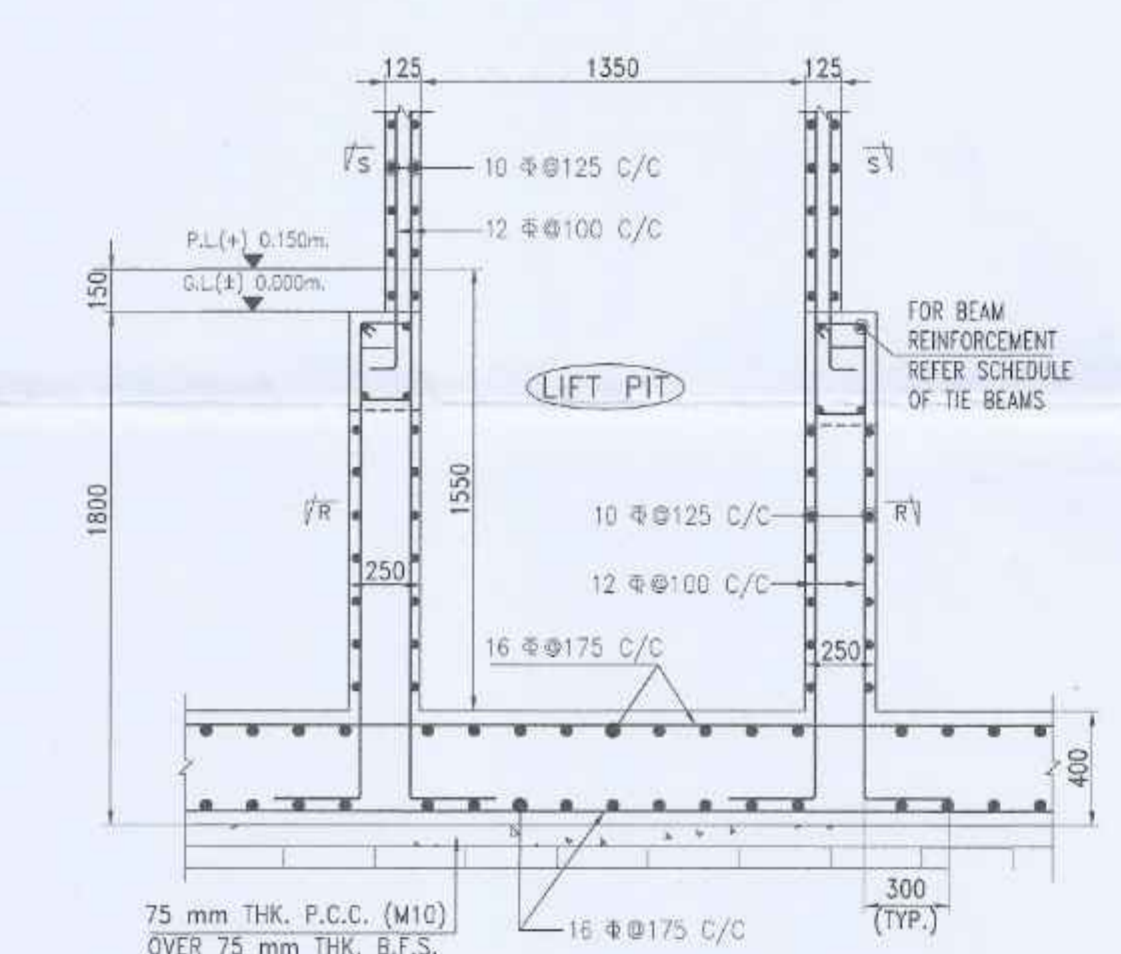
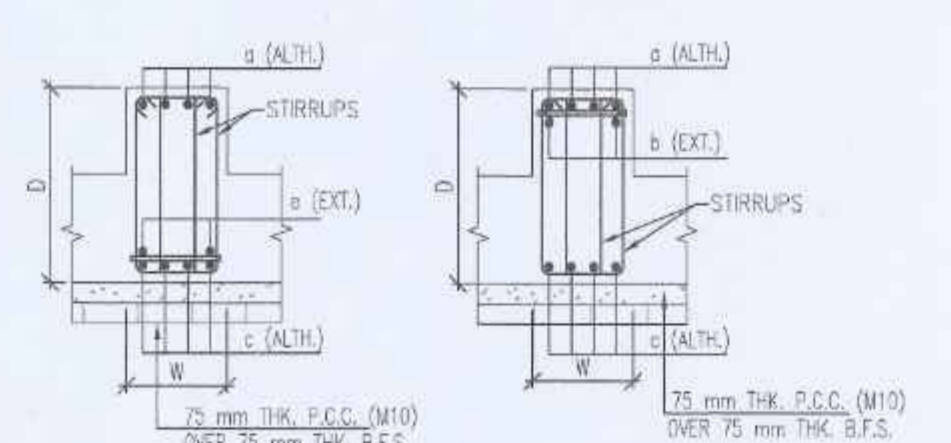


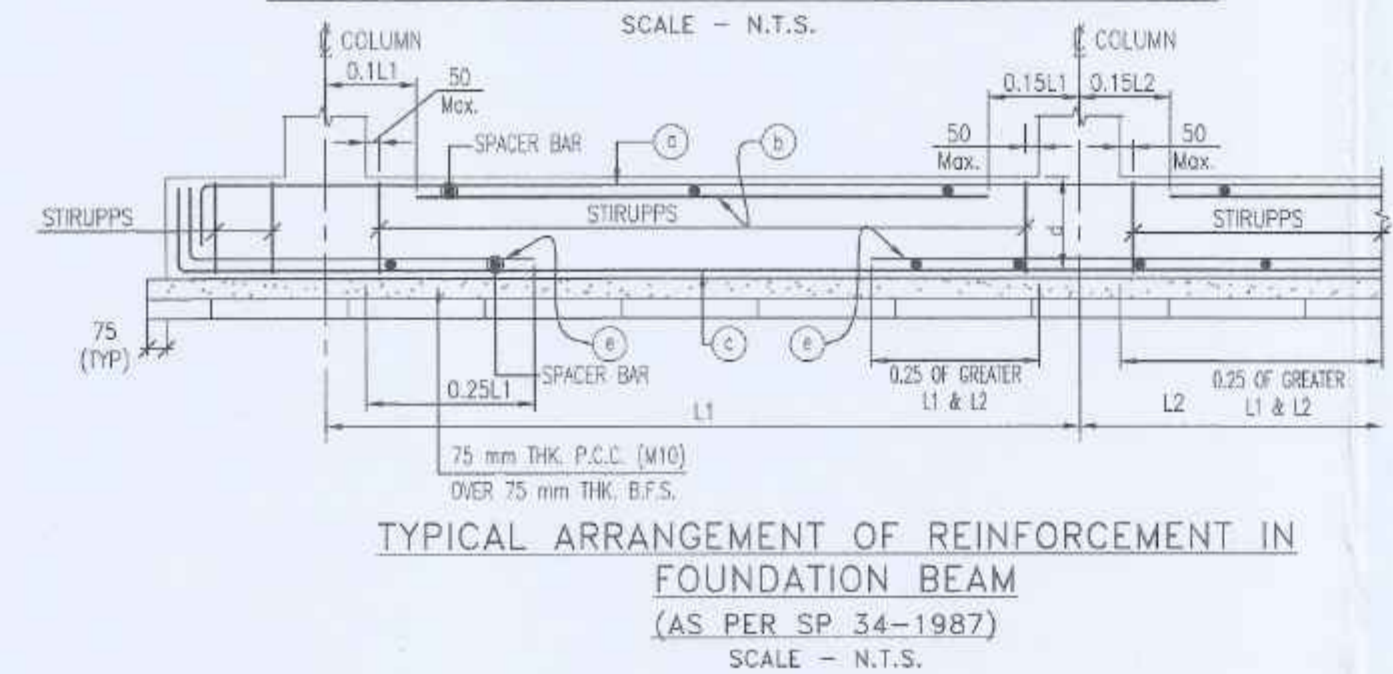
FOUNDATION LAYOUT PLAN
RS MARKED SLAB 400mm THICK.
RS REFERS TO RAFT SLABS.
SCALE 1:100



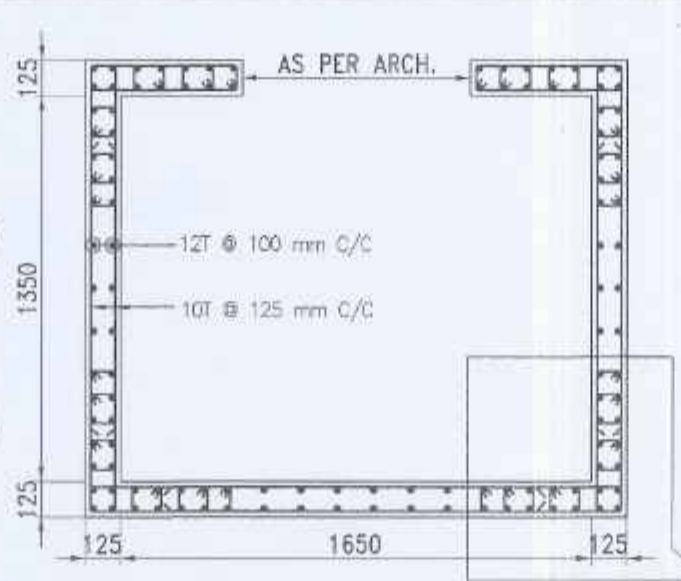
SECTION -C-C
SCALE - 1:25



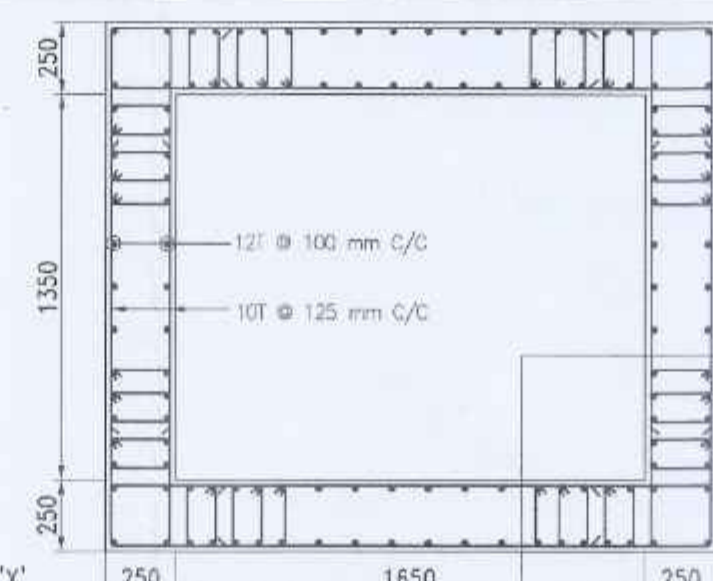
TYPICAL CROSS SECTION OF FOUNDATION BEAM
SCALE - N.T.S.



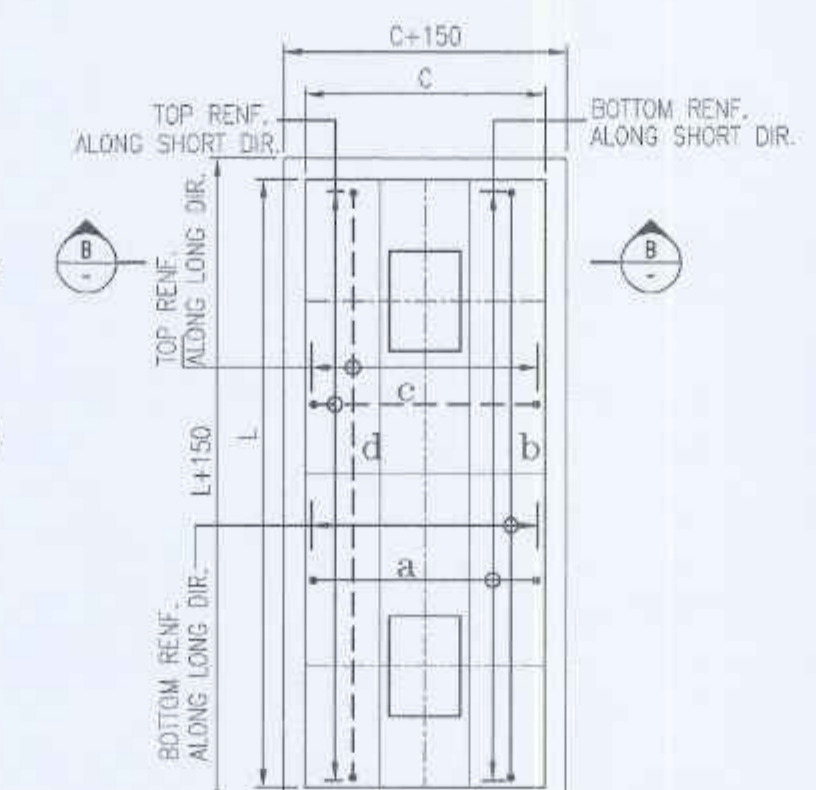
TYPICAL ARRANGEMENT OF REINFORCEMENT IN FOUNDATION BEAM
(AS PER SP 34-1987)
SCALE - N.T.S.



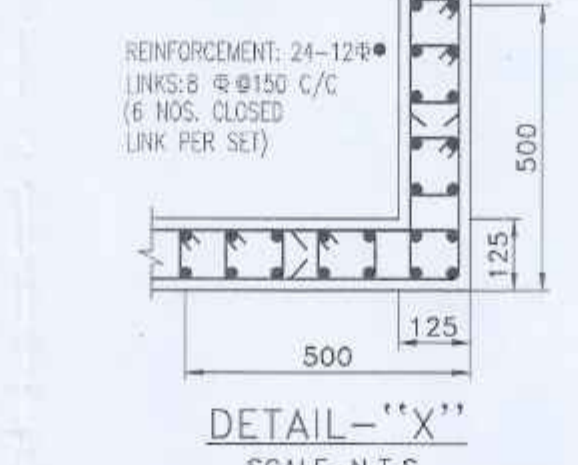
LIFT WALL PLAN AT FLOOR LEVEL SECTION (S-S)
SCALE 1:25



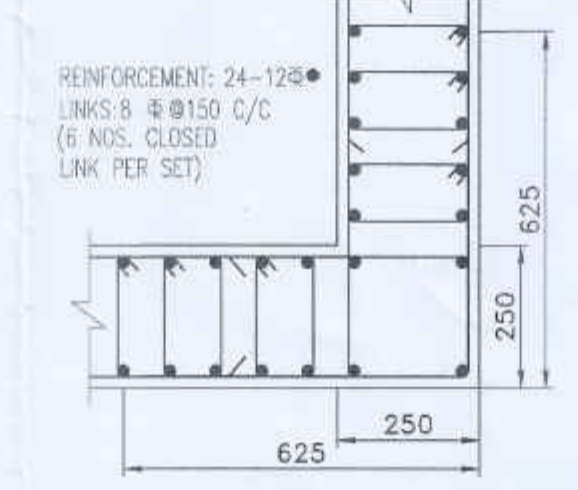
LIFT WALL PLAN AT BASE LEVEL SECTION (R-R)
SCALE 1:25



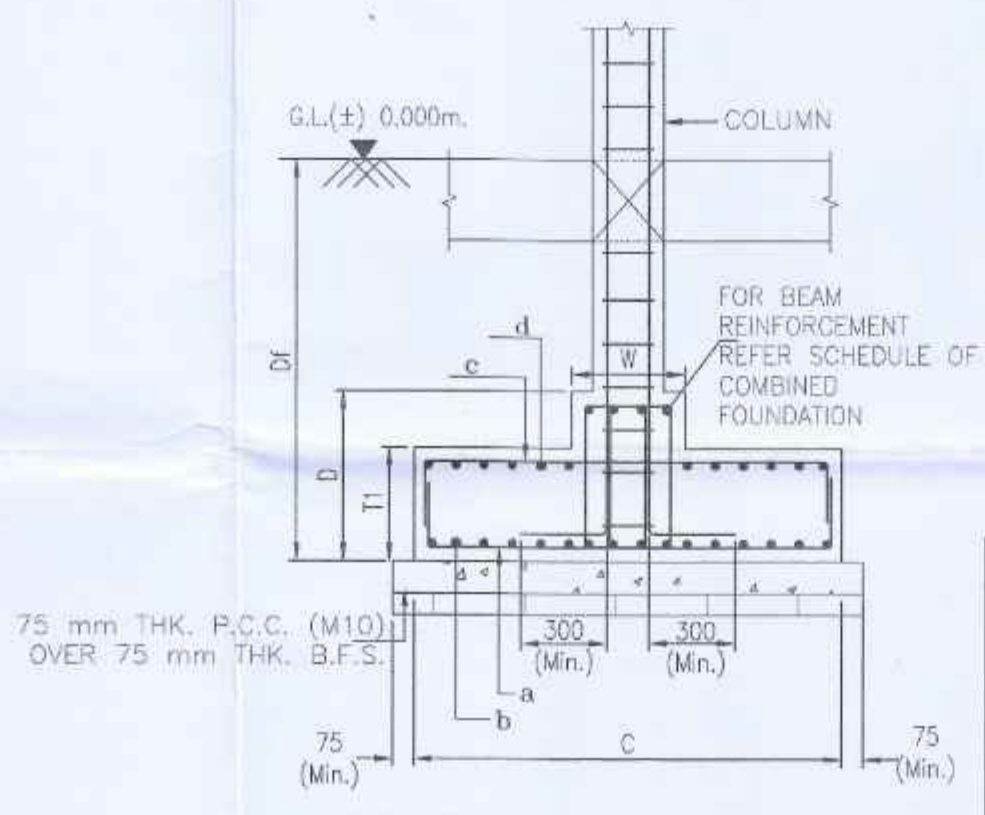
TYPICAL DETAIL OF COMBINED FOUNDATION
SCALE N.T.S.



DETAIL - 'X'
SCALE-N.T.S



DETAIL - 'Y'
SCALE-N.T.S



REINFORCEMENT DETAIL OF COMBINED FOUNDATION SECTION B-B
SCALE N.T.S.

FOUNDATION MARKED	NUMBER	FOUNDATION SIZE				FOUNDATION REINFORCEMENT DETAILS				FOUNDATION BEAM SIZE			FOUNDATION BEAM REINFORCEMENT DETAIL			
		TOTAL LENGTH L (mm)	WIDTH C (mm)	THICKNESS T1 (mm)	DEPTH Df (mm)	BOTTOM REINFORCEMENT		TOP REINFORCEMENT		LENGTH L (mm)	WIDTH W (mm)	DEPTH D (mm)	BOTTOM REINFORCEMENT		STIRRUPS SPACING (mm)	
						ALONG SHORT DIRECTION (a)	ALONG LONG DIRECTION (b)	ALONG SHORT DIRECTION (c)	ALONG LONG DIRECTION (d)				ALTHROUGH	EXTRA		ALTHROUGH
CF	02	6.375	3000	400	1500	16 #175 C/C	12 #200 C/C	8 #200 C/C	8 #200 C/C	6.375	550	450	5-16 #	2-12 #	5-16 #	4-8 #200 C/C

BEAM MARKED	BEAM SIZE	BOTTOM REINFORCEMENT		TOP REINFORCEMENT		STIRRUPS
		ALTHROUGH	EXTRA AT SUPPORT	ALTHROUGH	EXTRA AT SPAN	
RFB1	550 x 450	4-16 #	-	4-16 #	-	4L-8 #200 C/C
RFB2	550 x 450	5-16 #	4-16 #	5-16 #	-	4L-8 #100 C/C
RFB3	400 x 450	4-16 #	4-12 #	4-16 #	-	4L-8 #100 C/C

SLAB MARKED	SLAB THICKNESS (mm)	REINFORCEMENT ALONG SHORTER DIRECTION		REINFORCEMENT ALONG LONGER DIRECTION	
		BOTTOM	TOP	BOTTOM	TOP
RS	400	16 #175 C/C	16 #175 C/C	16 #175 C/C	16 #175 C/C

UNDER COLUMNS MARKED	FOUNDATION MARKED	NUMBER	FOUNDATION SIZE				FOUNDATION REINFORCEMENT DETAILS				
			WIDTH (m)	LENGTH (m)	THICKNESS D1 (mm)	DEPTH D2 (mm)	BOTTOM REINFORCEMENT		TOP REINFORCEMENT		
							ALONG SHORT DIRECTION	ALONG LONG DIRECTION	ALONG SHORT DIRECTION	ALONG LONG DIRECTION	
C1,C6,C34,C41	F1	04	1.8	1.8	400	250	1500	12 #175 C/C	12 #175 C/C	8 #300 C/C	8 #300 C/C
C2,C7,C8,C9,C12,C17,C25,C28,C35,C38,C39	F2	11	2.0	2.0	400	250	1500	12 #150 C/C	12 #150 C/C	8 #300 C/C	8 #300 C/C
C3,C5,C11,C13,C29,C33,C36,C37	F3	08	2.2	2.2	400	250	1500	12 #150 C/C	12 #150 C/C	8 #300 C/C	8 #300 C/C
C4,C10,C15,C18,C20,C30	F4	06	2.4	2.4	450	300	1500	12 #150 C/C	12 #150 C/C	8 #300 C/C	8 #300 C/C
C16,C21	F5	02	2.6	2.6	450	300	1500	12 #125 C/C	12 #125 C/C	8 #300 C/C	8 #300 C/C
C14,C20,C23	F6	03	2.8	2.8	450	300	1500	12 #125 C/C	12 #125 C/C	8 #300 C/C	8 #300 C/C

TYPE OF FOUNDATION	FOUNDATION MARK	SIZE	NET SAFE BEARING CAPACITY (T/W)
			(T/W)
ISOLATED	F1	1.80m x 1.80m	10.6
	F2	2.00m x 2.00m	10.6
	F3	2.20m x 2.20m	10.46
	F4	2.40m x 2.40m	10.3
	F5	2.60m x 2.60m	10.2
	F6	2.80m x 2.80m	10.1
RAFT	RF	5.300m x 7.050m	8.0
COMBINED	CF	3.000m x 6.375m	9.5

SPECIAL NOTES:-
1. THIS STRUCTURAL DRAWING IS VALID IF THE CONSTRUCTION IS DONE USING AAC BLOCKS FOLLOWING PROPER DIMENSION OF EXTERNAL AND INTERNAL WALLS AS PER ARCHITECTURAL DRAWING.
2. THE STRUCTURE MUST BE CONSTRUCTED IN PRESENCE OF A COMPETENT STRUCTURAL ENGINEER FOR STRICT SUPERVISION.

- NOTES :**
- UNLESS OTHERWISE STATED ALL CONSTRUCTION ACTIVITIES SHALL BE CARRIED OUT CONFORMING TO RELEVANT (INDIAN) STANDARD CODES OF PRACTICE.
 - ALL DIMENSIONS ARE IN MILLIMETERS & LEVELS ARE IN METER EXCEPT OTHERWISE MENTIONED ONLY WRITTEN DIMENSIONS SHALL BE FOLLOWED. ALL LEVELS GIVEN IN STRUCTURAL DRAWINGS ARE IN ACCORDANCE WITH ARCHITECTURAL DRAWINGS, AND INDICATE STRUCTURAL LEVEL ONLY (WITHOUT FINISH).
 - ALL STRUCTURAL DRAWINGS SHALL BE READ ALONG WITH THIS DRAWING AS WELL AS RELEVANT ARCHITECTURAL DRAWINGS.
 - ANY DISCREPANCY IN THE STRUCTURAL AND ARCHITECTURAL DRAWINGS SHALL BE BROUGHT TO THE NOTICE OF STRUCTURAL CONSULTANT BEFORE EXECUTION OF WORK.
 - UNLESS OTHERWISE SPECIFIED ALL REINFORCEMENT TO BE USED SHALL BE TMT BARS OF GRADE Fe-500/500 D CONFORMING TO IS-1786-2008.
 - ADEQUATE CHAIR BARS TO BE PROVIDED TO KEEP THE TOP REINFORCEMENT IN PROPER POSITION.
 - VIBRATOR SHALL BE USED FOR PROPER COMPACTION OF CONCRETE AND CURING SHALL BE DONE PROPERLY.
 - UNLESS OTHERWISE SPECIFIED DISTRIBUTION REINFORCEMENT SHALL BE 8 T @ 250 C/C.
 - CONCRETE CLEAR COVER SHALL BE AS FOLLOWS:

i) ISOLATED FOUNDATION	: 50 mm
ii) RAFT BEAM & SLAB	: 50 mm
iii) SHEAR WALL	: 20 mm
iv) COMBINE FOUNDATION	: 50 mm
 - GRADE OF CONCRETE FOR SUBSTRUCTURE WILL BE M25 AS PER IS: 456:2000.
 - DEVELOPMENT LENGTH 50xD FOR LAP & SPLICES SHOULD BE PROVIDED AS PER THE PROVISIONS LAID DOWN IN SP 34:1987.
 - THE NET SAFE BEARING CAPACITIES FOR ISOLATED, COMBINED AND RAFT FOUNDATION AT DEPTH (-) 1.5m, (UNLESS OTHERWISE MENTIONED) FROM G.L. HAVE BEEN CONSIDERED INTUNE WITH THE SOIL REPORT PREPARED BY BHASKAR JYOTI ROY(Techno SOIL).
 - THE MENTIONED BEARING CAPACITIES MUST BE ENSURED AT SITE UNDER THE SUPERVISION OF A COMPETENT GEO-TECHNICAL ENGINEER FOR VALIDITY OF THIS DRAWING.
 - THE H VALUE AS DESCRIBED UNDER NOTES OF TABLE-1 OF IS-1893(PART-1)-2016 SHOULD BE ENSURED TO BE GREATER THAN 15 FOR VALIDITY OF THIS DESIGN AND DRAWING.

TITLE - (BLOCK-C)
STRUCTURAL DRAWING OF PROPOSED G+IV STORED RESIDENTIAL CUM COMMERCIAL BUILDING AT MOUZA - KALIKAPUR, JL NO :- 40 R/S/LR, DAG NOS:- 437, LR, KHATIAN NOS:-3782,3995, R.S. NO:-141,TOUZI NO.-10P.S.-RAJARHAT UNDER PATHARGHATA GRAM PANCHAYET DISTRICT: NORTH 24 PARGANAS.

SIGNATURE OF OWNER
GITANJALI ENTERPRISE
Rinu Chatterjee (Key) also Das Partner
GITANJALI ENTERPRISE Partner
Sant K. Jha alin. Banerjee Partner

SIGNATURE OF ARCHITECT

SIGNATURE OF GEO-TECHNICAL ENGINEER

SIGNATURE OF STRUCTURAL ENGINEER

7/6/24
SUSMITA CHAUDHURY
B.TECH (CIVIL) - WBUT
M.TECH (CONSTRUCTION) - IIT
ESE - I / IAS / IES / IAS
ESE - II / IAS / IES / IAS
ESE - III / IAS / IES / IAS
ESE - IV / IAS / IES / IAS
ESE - V / IAS / IES / IAS
ESE - VI / IAS / IES / IAS
ESE - VII / IAS / IES / IAS
ESE - VIII / IAS / IES / IAS
ESE - IX / IAS / IES / IAS
ESE - X / IAS / IES / IAS
ESE - XI / IAS / IES / IAS
ESE - XII / IAS / IES / IAS
ESE - XIII / IAS / IES / IAS
ESE - XIV / IAS / IES / IAS
ESE - XV / IAS / IES / IAS
ESE - XVI / IAS / IES / IAS
ESE - XVII / IAS / IES / IAS
ESE - XVIII / IAS / IES / IAS
ESE - XIX / IAS / IES / IAS
ESE - XX / IAS / IES / IAS
ESE - XXI / IAS / IES / IAS
ESE - XXII / IAS / IES / IAS
ESE - XXIII / IAS / IES / IAS
ESE - XXIV / IAS / IES / IAS
ESE - XXV / IAS / IES / IAS
ESE - XXVI / IAS / IES / IAS
ESE - XXVII / IAS / IES / IAS
ESE - XXVIII / IAS / IES / IAS
ESE - XXIX / IAS / IES / IAS
ESE - XXX / IAS / IES / IAS

SIGNATURE OF THE VETTING AUTHORITY

CHECKED & VETTED
DR. DIPANKAR CHATTERJEE
B.TECH (CIVIL) - WBUT
M.TECH (CONSTRUCTION) - IIT
ESE - I / IAS / IES / IAS
ESE - II / IAS / IES / IAS
ESE - III / IAS / IES / IAS
ESE - IV / IAS / IES / IAS
ESE - V / IAS / IES / IAS
ESE - VI / IAS / IES / IAS
ESE - VII / IAS / IES / IAS
ESE - VIII / IAS / IES / IAS
ESE - IX / IAS / IES / IAS
ESE - X / IAS / IES / IAS
ESE - XI / IAS / IES / IAS
ESE - XII / IAS / IES / IAS
ESE - XIII / IAS / IES / IAS
ESE - XIV / IAS / IES / IAS
ESE - XV / IAS / IES / IAS
ESE - XVI / IAS / IES / IAS
ESE - XVII / IAS / IES / IAS
ESE - XVIII / IAS / IES / IAS
ESE - XIX / IAS / IES / IAS
ESE - XX / IAS / IES / IAS
ESE - XXI / IAS / IES / IAS
ESE - XXII / IAS / IES / IAS
ESE - XXIII / IAS / IES / IAS
ESE - XXIV / IAS / IES / IAS
ESE - XXV / IAS / IES / IAS
ESE - XXVI / IAS / IES / IAS
ESE - XXVII / IAS / IES / IAS
ESE - XXVIII / IAS / IES / IAS
ESE - XXIX / IAS / IES / IAS
ESE - XXX / IAS / IES / IAS

STRUCTURAL CONSULTANT:
STRUCTCON ENTERPRISE
REGD. ADDRESS: ASHRAY APARTMENT, GROUND FLOOR, 96B, KALIKAPUR ROAD, KOLKATA- 700 099
Email-structconenterprise@gmail.com
Ph.-9007714478, 7003201735

DRAWING TITLE
FOUNDATION LAYOUT PLAN WITH REINF. DETAILS.
SCALE-1:100 OR AS SHOWN
DATE-07.06.2024
SHEET NO. - 1 OF 3 SHEET SIZE- A1